

NELSON™ HEAT TRACING SYSTEMS

PLK SERIES LIGHT KIT

INSTALLATION INSTRUCTIONS

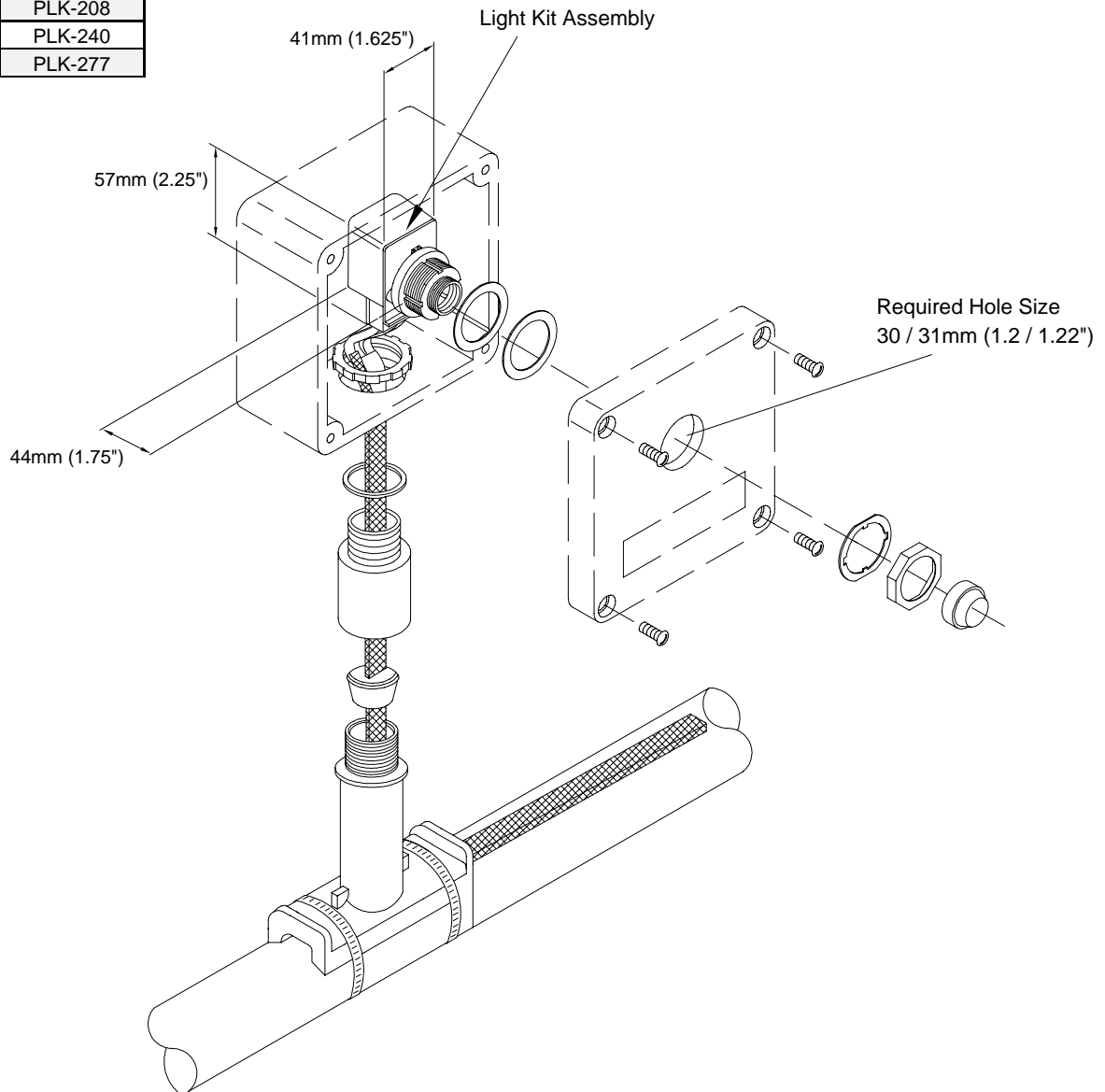
DESCRIPTION

The PLK Series Light Kit is for use with all versions of Nelson LT, CLT, HLT and NC heater cables.

KIT CONTENTS

- 1 Light Kit Assembly
- 1 Label

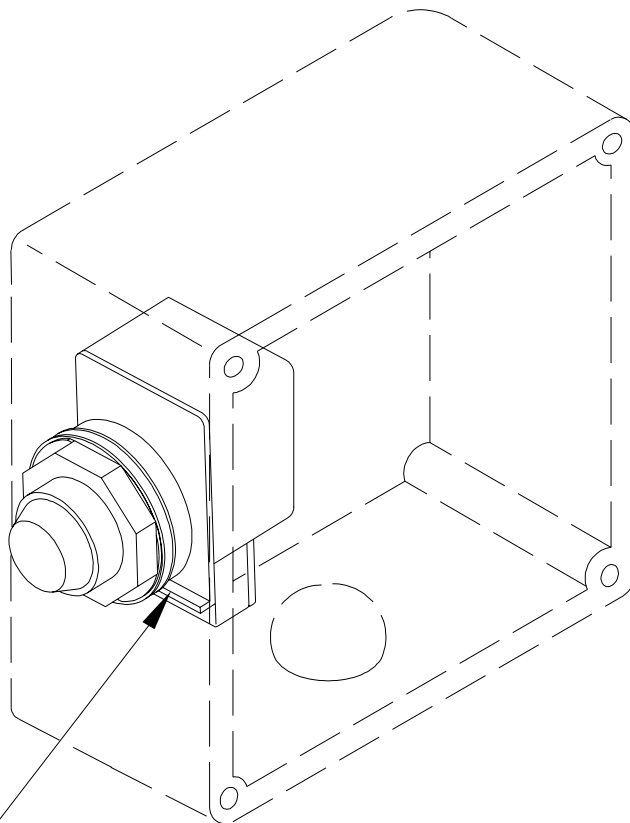
Voltage	Kit Cat. #
120V	PLK-120
208V	PLK-208
240V	PLK-240
277V	PLK-277



Notes:

- Dimensions shown above are to be used to verify mounting clearances when mounting the PLK Light Kit in different enclosures.
- If this light kit is used as a replacement for the PLT-L1&L2 and ALT-L1&L2 End of Circuit Light Kits, refer to sheet 2.

RETROFIT LIGHT KIT INSTALLATION



When using the PLK Series Light Kit in a PLT-BC Power Termination Kit you must enlarge existing hole size to 30 / 31mm (1.2 / 1.22").
Refer to instruction sheet inside box.

Note:

The LT-L1 / LT-L2 End of Circuit Light Kit is replaced with the PLK Series Light Kit as shown.

Nelson Heat Tracing Systems products are supplied with a limited warranty. Complete Terms and Conditions may be found on Nelson's website at www.nelsonheaters.com.

P.O. BOX 726 ■ TULSA, OK 74101 ■ TEL 918-627-5530 ■ FAX 918-641-7336 ■ www.nelsonheaters.com